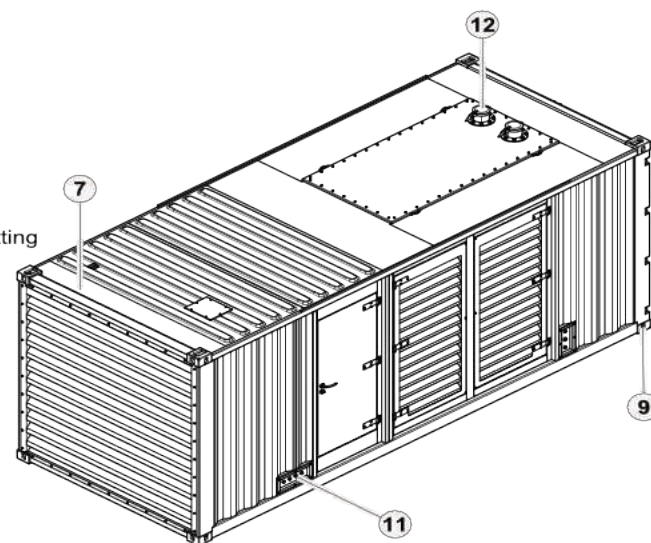
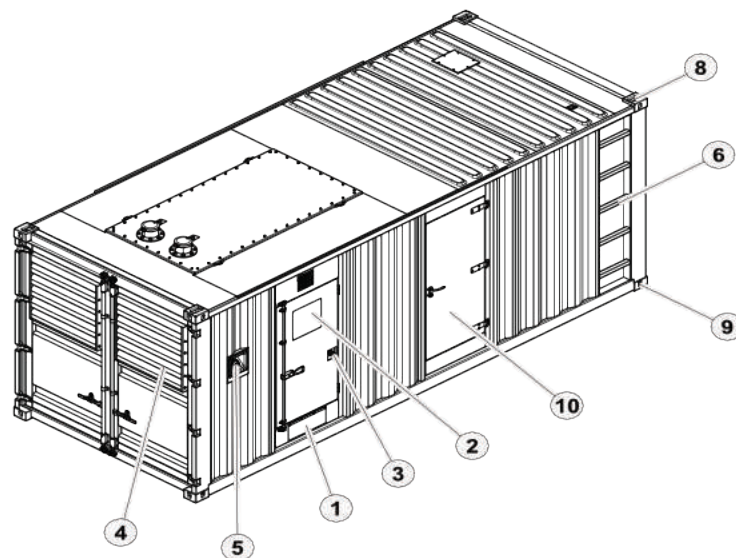


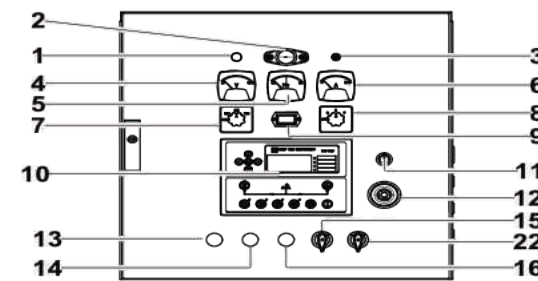
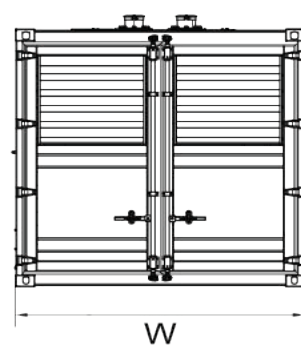
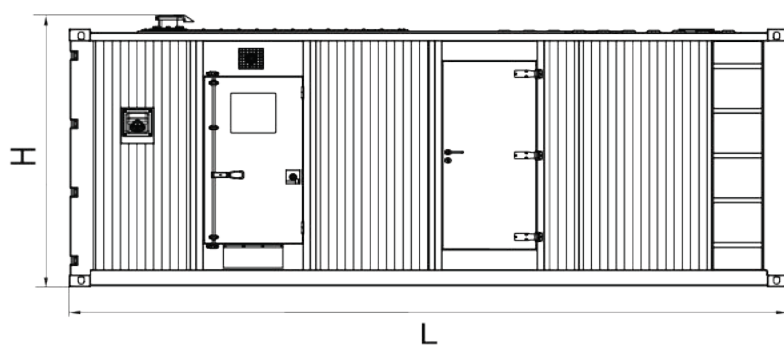
The designs and the productions are in conformity with:

- Conformance Européenne (CE)
- China Compulsary Certification (CCC)
- ISO8528-5:2005
- GB/T2820.5-2009
- AS 3000-2018
- AS 3010.1-2017

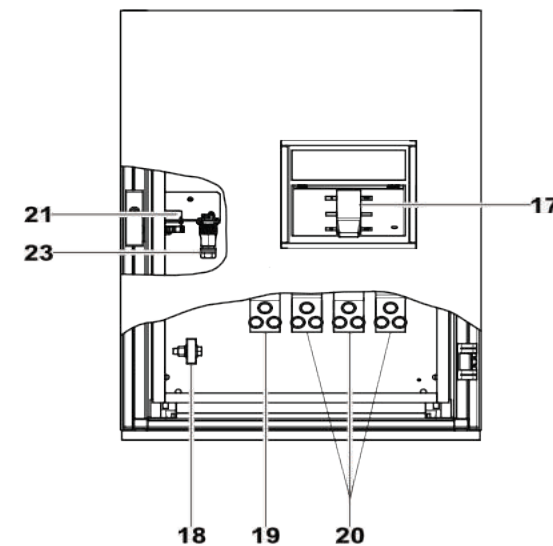
Dry weight	12096 KG
Fuel tank capacity	1450 L
Dimensions L x W x H	6058 x 2438 x 2730



- ⑥ Ladder
- ⑤ Fuel inlet
- ④ Air inlet
- ③ Emergency stop switch
- ② Control cabinet
- ① Cable trench
- ⑫ Exhaust gas outlet
- ⑪ External fuel inlet/Return hose fitting
Coolant/Oil drain hose fitting
- ⑩ Access door
- ⑨ Fixing lug
- ⑧ Lifting lug
- ⑦ Canopy

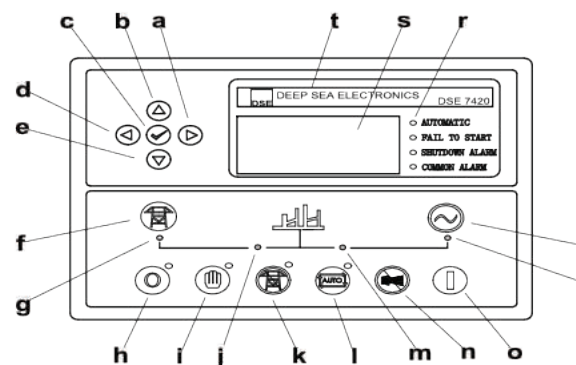


Control cabinet



Field wiring cabinet

22	Mains input changeover switch
23	Remote run connector



Control module

Ref.	Description
1	Charge indicator
2	Control cabinet lamp
3	Control cabinet lamp switch
4	Voltage meter
5	Frequency meter
6	Current meter
7	Changerover switch-Voltage
8	Changerover switch-Current
9	Time counter
10	Control module
11	Key switch
12	Emergency stop switch
13	Fuel leak indicator
14	Running button with indicator
15	Oil drain switch
16	Stop button with indicator
17	Main circuit breaker
18	Ground wire terminal
19	Neutral wire terminal
20	Live wire terminals
21	Mains input/Remote control/ ATS communication connector

a	Button (next page)
b	Button (increase value / previous item)
c	Button (accept)
d	Button (previous page)
e	Button (decrease value / next item)
f	Button (transfer the load to the mains supply, when in Manual mode only)
g	Mains supply available LED
h	Stop / Reset button
i	Manual button (Manual control mode)
j	Mains supply on load LED
k	Test button (Test mode)
l	Auto button (Auto mode)
m	Genset on load LED
n	Mute/Lamp test button
o	Start button (Manual)
p	Genset available LED
q	Button (transfer the load to the genset, when in Manual mode only)
r	Alarm LED (4 alarm items)
s	LCD display
t	Control module name

Standby rating: These ratings are applicable for supplying continuous electrical power (at variable load) in the event of a utility power failure. Overload will not be permitted on these ratings. The alternator on this model is peak continuous rated (as defined in ISO 8528-3). Prime rating: These ratings are applicable for supplying continuous electrical power (at variable load) instead of commercially purchased power. There is no limitation to the annual hours of operation and this model can supply 10% overload power for 1-12hours. Standard Reference Conditions: Standard reference conditions 25°C(77°F) air inlet temp, 100m (328ft) A.S.L 30% relative humidity. Fuel consumption data at full load with diesel fuel, with specific gravity of .85 and conforming to BS2869-1998, Class A2. Note kVA ratings subject to ambient temperature/altitude/site conditions. Engine kW rating may vary +/- 3%. Designed to comply with Australian and European Standards. All of Motive Group Pty Ltd's diesel generators come with a standard 12month/2000hr manufacturers warranty. *T&C's apply.



*Pictures are for illustration purposes only
*Products may vary in appearance

KEY FEATURES

- ABB main circuit breaker: 1600 A
- Emergency stop switch
- ATS (automatic transfer switch) receptacle
- Lockable battery isolator switch
- All access/control panel doors lockable
- Heavy duty powder coated canopy
- Drain points for fuel/radiator/engine/base
- Remote run connector
- Deep Sea Electronics: DSE- 7420
- 4x 12V/150AH sealed for life maintenance free battery
- Fire Extinguisher
- Sound attenuated enclosure
- Vibration isolators between engine/ alternator/base
- Added fuel-water separator for fuel tank
- Fuel inlet pump and its control box for the fuel tank
- Fuel line - Non returning valve
- Analog and digital fuel gauges
- 50°C radiator
- Oil pump on the engine
- Base fuel tank for 7 hrs running
- Breather valve for fuel tank
- Operations manual / specifications

GENERATOR

Prime power: kVA/kW	900/720	Base fuel tank running: hrs	7
Standby power: kVA/kW	990/792	Fuel tank capacity: L	1450
Phase	3	Structure Type	C
Voltage: V	415	Dry weight: Kg	12096
Ampage: A	1252	Dimensions: LxWxH	6058 x 2438 x 2730

ENGINE

Brand	Cummins	Intake system	Turbocharged
Model	KTA38G2A	Injection type	Direct
Cylinders	12	Cooling system	Water cooled
Displacement: L	37.5	Battery: V	24
Bore: mm	159	Fuel tank capacity: L	1450
Stroke: mm	159	Coolant capacity: L	194
Compression ratio	14.5	Oil capacity: L	135
Rated rpm	1500	Air filter	Dry
Engine governor	Electrical	Noise level @ 7m: dBA	79.2
Standby power: kW	895	Fuel consumption:	---
Prime power: kW	813	50% Load: L/H	93
		100% Load: L/H	181.4

ALTERNATOR

Brand	Stamford	Voltage: V	415
Model	LVI634D	Ampage: A	1252
Exciter	Brushless	Frequency: Hz	50
Terminals	12	Phase	3
Drip proof	IP23	A.V.R model	MX321
Overspeed: rpm	2250		



Fan and fan motor



Superior engine



Ventilating fan



Fuel loading system (Manual/Automatic, Standard configuration)



Interior of the genset



Control panel



Sieve for air inlet and outlet



Built-in sound absorbing cotton

*Pictures are for illustration purposes only
*Products may vary in appearance

ENVIRONMENTAL OPERATING CONDITIONS

- Installation place: Outdoors or indoors (well ventilated).
- Humidity: Less 90%.
- Ambient temperature: -25°C to 50°C. The coolant heater is needed when the temperature is below 5°C.
- Altitude: Below one thousand (1000) meters above sea level.

CAPABILITIES INCLUDE

- Service
- Project Consultations
- Hybrid Micro Grids
- Repairs
- Earthworks
- CNG (Compressed Natural Gas)
- PLC Management
- Civil Construction
- LPG (Liquefied Petroleum Gas)
- Fabrication
- Engineering services
- Electrical
- Mechanical
- Civil
- Cogeneration/CHP
- Installations
- Commissioning



Field Service Maintenance | Power Systems

Sales. Service.

E. sales@motivegroup.com.au

T. (03) 9037 4328

W. motivegroup.com.au